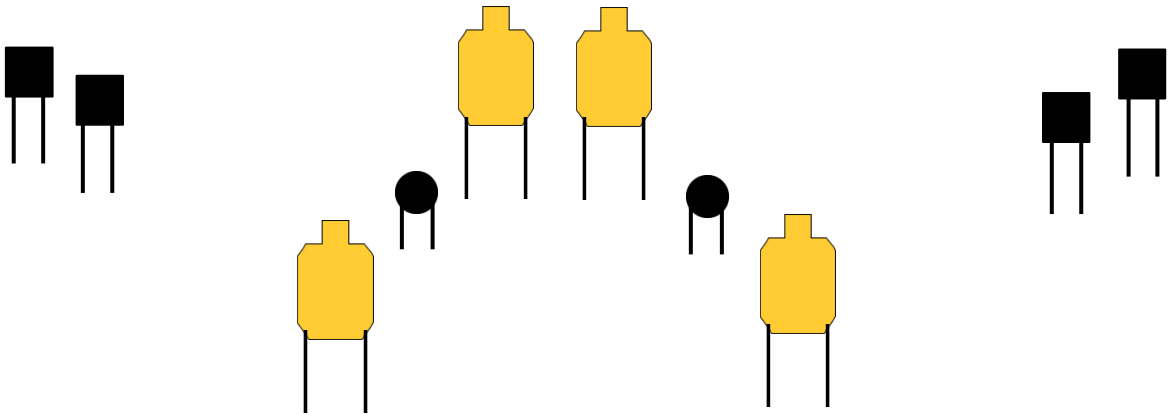


STAGE NAME 2 Steel Each	
FIELD: Trap Field1	STAGE # 1

START POSITION: Facing downrange, hands at sides, both feet completely in shooting box 1

PROCEDURE:
 Start and shoot from box 1, then shoot from box 2, then shoot from box 3
 2 steel must fall from each box
 Paper can be engaged from any box

SCORING: Unlimited
ROUND COUNT: 14 min.
TARGETS: 4 paper, 6 steel
DISTANCE:
SCORED HITS: Best 2 on paper, steel must fall
PENALTIES:
NOTES: May21



TARGET & EQUIPMENT LIST

QTY.	DESCRIPTION
4	Paper Targets
4	Targets Stands
4	Square Steel Targets
2	Round Steel Targets
4	High Steel Stands
2	Med Steel Stands
3	Shooting Boxes